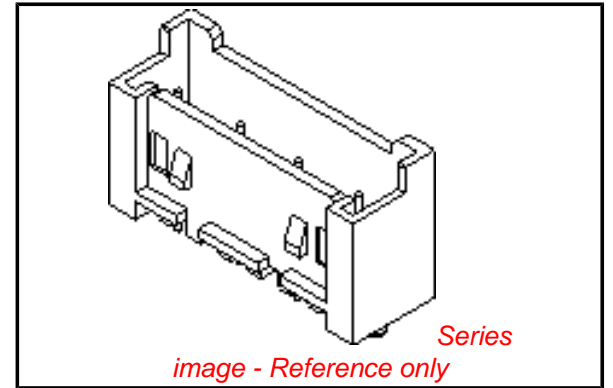


PLEASE CHECK WWW.MOLEX.COM FOR LATEST PART INFORMATION

Part Number: [0533760810](#)
Status: **Active**
Overview: [minilock](#)
Description: 5.00mm (.197") Pitch Mini-Lock™ Wire-to-Board Header, Vertical, Friction and Positive Lock, 8 Circuits, Lead-free

Documents:

3D Model	Product Specification PS-51163-001 (PDF)
Drawing (PDF)	Product Specification PS-51163-002 (PDF)
Product Specification PS-51103-005 (PDF)	RoHS Certificate of Compliance (PDF)
Product Specification PS-51103-007 (PDF)	



General

Product Family	PCB Headers
Series	53376
Application	Wire-to-Board
Overview	minilock
Product Name	Mini-Lock™

Physical

Breakaway	No
Circuits (Loaded)	8
Circuits (maximum)	8
Durability (mating cycles max)	30
First Mate / Last Break	No
Glow-Wire Compliant	No
Guide to Mating Part	No
Keying to Mating Part	None
Lock to Mating Part	Yes
Mated Height (in)	0.453 In, 0.569 In
Mated Height (mm)	11.50 mm, 14.44 mm
Material - Plating Mating	Tin
Material - Plating Termination	Tin
Number of Rows	1
Orientation	Vertical
PC Tail Length (in)	0.134 In
PC Tail Length (mm)	3.40 mm
PCB Locator	Yes
PCB Retention	Yes
PCB Thickness Recommended (in)	0.062 In
PCB Thickness Recommended (mm)	1.60 mm
Packaging Type	Bag
Pitch - Mating Interface (in)	0.197 In
Pitch - Mating Interface (mm)	5.00 mm
Polarized to Mating Part	Yes
Polarized to PCB	Yes
Shrouded	Fully
Stackable	No
Surface Mount Compatible (SMC)	No
Temperature Range - Operating	-40°C to +105°C
Termination Interface: Style	Through Hole

Electrical

Current - Maximum per Contact	3A
Voltage - Maximum	250V

EU RoHS

ELV and RoHS Compliant
REACH SVHC Contains SVHC: No
Halogen-Free Status

China RoHS



Need more information on product environmental compliance?

Email productcompliance@molex.com
 For a multiple part number RoHS Certificate of Compliance, [click here](#)

Please visit the [Contact Us](#) section for any non-product compliance questions.

Search Parts in this Series

[53376Series](#)

Mates With

Mini-Lock™ Wire-to-Board and Wire-to-Wire Crimp Terminal 51103 , 51102 , 51163

Material Info

Reference - Drawing Numbers

Packaging Specification

Product Specification

SPK-53376-001

PS-51103-005, PS-51103-007, PS-51163-001,

PS-51163-002, RPS-51103-010, RPS-51103-011,

RPS-51103-032, RPS-51103-041, RPS-51103-047,

RPS-51103-056, RPS-51163-002

SD-53376-**10

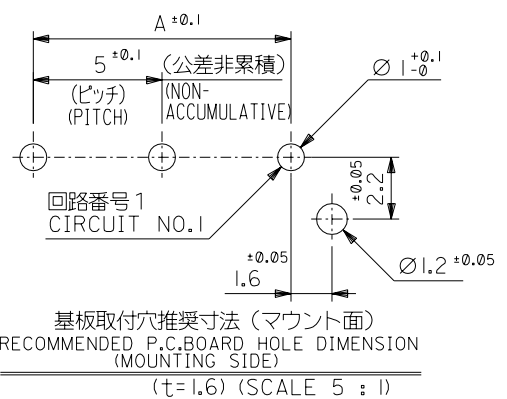
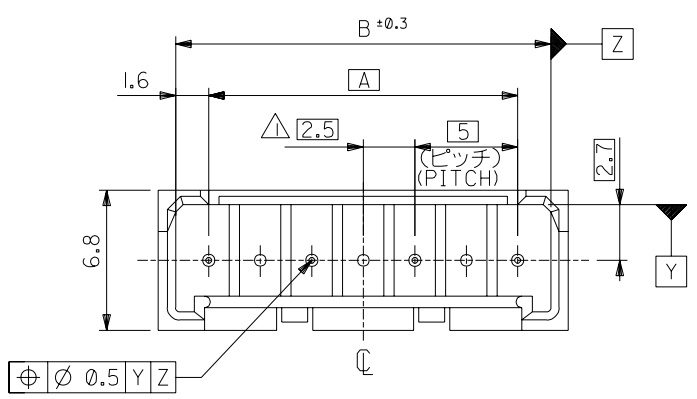
Sales Drawing

This document was generated on 05/25/2010

PLEASE CHECK WWW.MOLEX.COM FOR LATEST PART INFORMATION

DWG. NO. SD-53376-**-10

MM DIMENSIONS IN METRIC DO NOT SCALE DRAWING



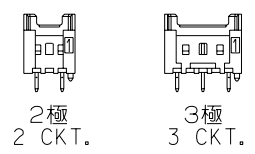
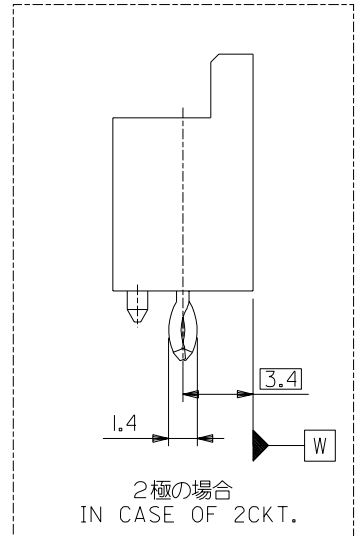
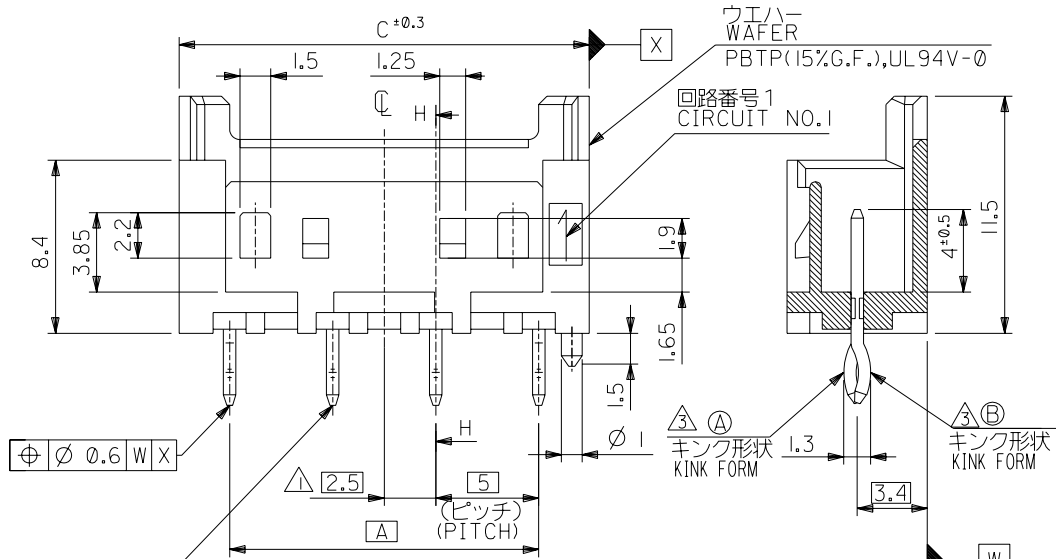
注記
NOTES

△ 偶数極品に適用。
APPLIES ONLY TO EVEN NO. CKT. SIZES.

2. 嵌合相手：51102,51103 シリーズ
MATES WITH : 51102,51103 SERIES.

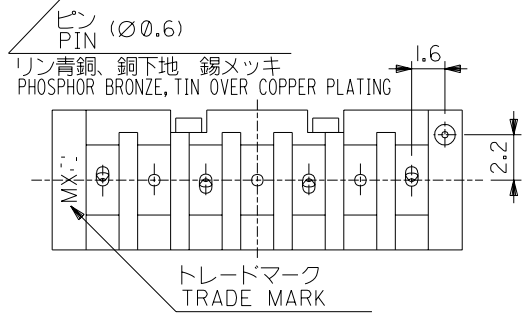
△ 3極以上のキンク形状は両サイドが(A)、その他の極はすべて(B)形状とする。
KINK FORM
MORE THAN 2 CURCUIT:
PINS AT BOTH ENDS ARE KINK FORMED TO (A),
THE OTHER PINS ARE KINK FORMED TO (B).

基板取付穴推奨寸法 (マウント面)
RECOMMENDED P.C.BOARD HOLE DIMENSION
(MOUNTING SIDE)
($t=1.6$) (SCALE 5 : 1)



2極 2 CKT. 3極 3 CKT.
ロック形状図
LOCK CONFIGURATION

39.9	38.2	35	53376-0810	8
34.9	33.2	30	-0710	7
29.9	28.2	25	-0610	6
24.9	23.2	20	-0510	5
19.9	18.2	15	-0410	4
14.9	13.2	10	-0310	3
9.9	8.2	5	53376-0210	2
C	B	A	MATERIAL NO.	極数 NO. OF CKTS.



断面 H-H
SECT. H-H

角度 ANGLE		±3°	C	変更 REVISIED	(J2004-3573)	Y.W	04/04/05	材料 MATERIAL	図中参照 SEE DRAWING	MATERIAL NO. MOLEX-JAPAN CO.,LTD. 日本モレックス株式会社
30°以上 OVER		+0.3	B	変更 REVISIED	(J30121)	K.T	'93/2/9	仕上げ FINISH	—	
10°以上 30°未満 UNDER		+0.25	A	変更 REVISIED	(J21178)	K.T	'92/12/16	適用電線範囲 WIRE RANGE	—	TITLE 名称
未満 10° UNDER		+0.2	①	新規作成 PROPOSED	(J20390)	K.T	'92/5/8	被覆外径 INS. RANGE	—	5.0 WIRE TO BOARD CONN. WAFER ASS'Y WITH KINK -LEAD FREE-
一般公差 GENERAL TOLERANCES			記号 LTR	変更内容 REVISION RECORD		DR. CHK.	日付 DATE	DRAWN BY '92/5/6 K.TOJO	CHK'D BY '93/2/9 H.HIRAMOTO	DWG. NO.
								APP'D BY '93/2/9 M.FUKUSHIMA	尺度 SCALE 4 : 1	REV C